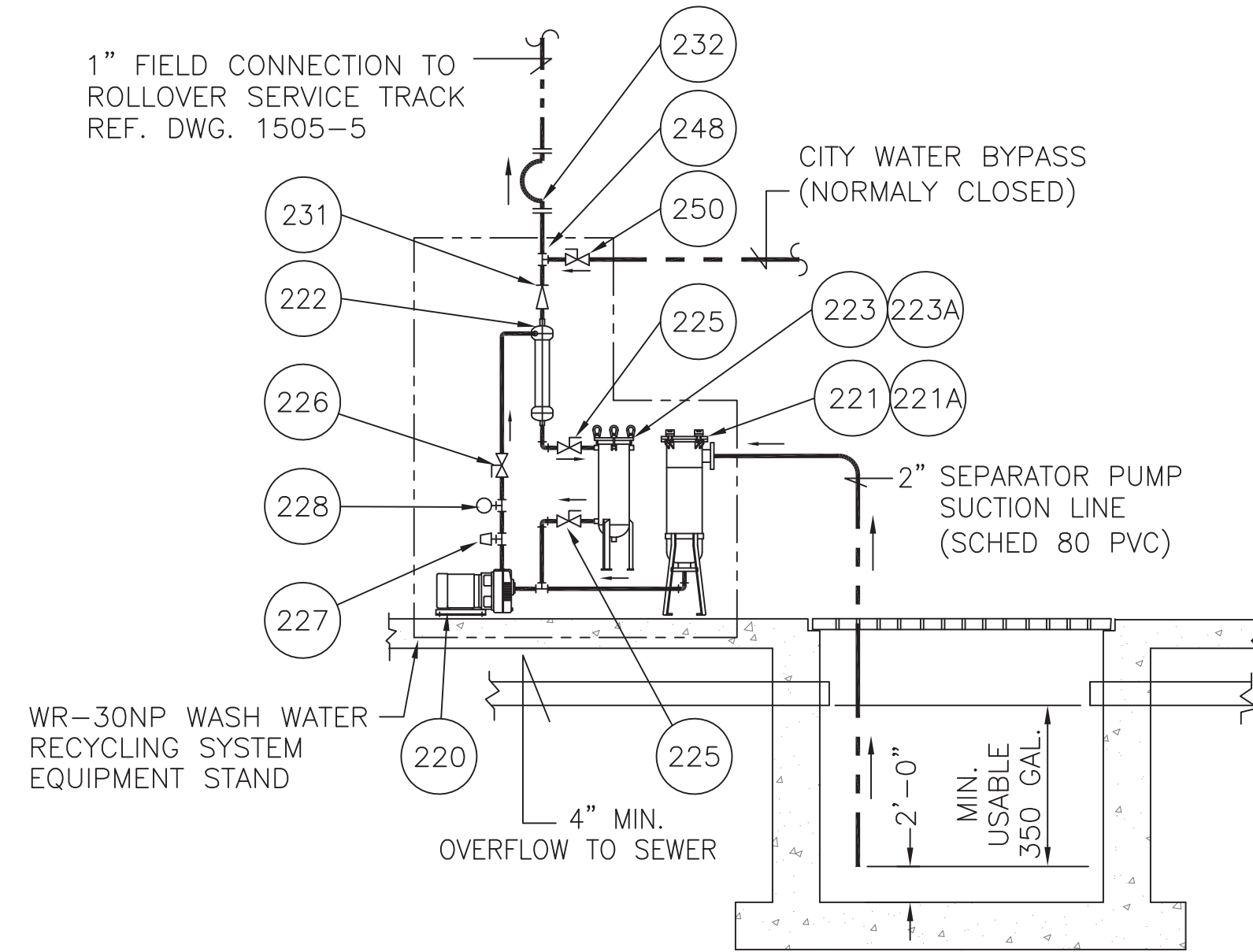
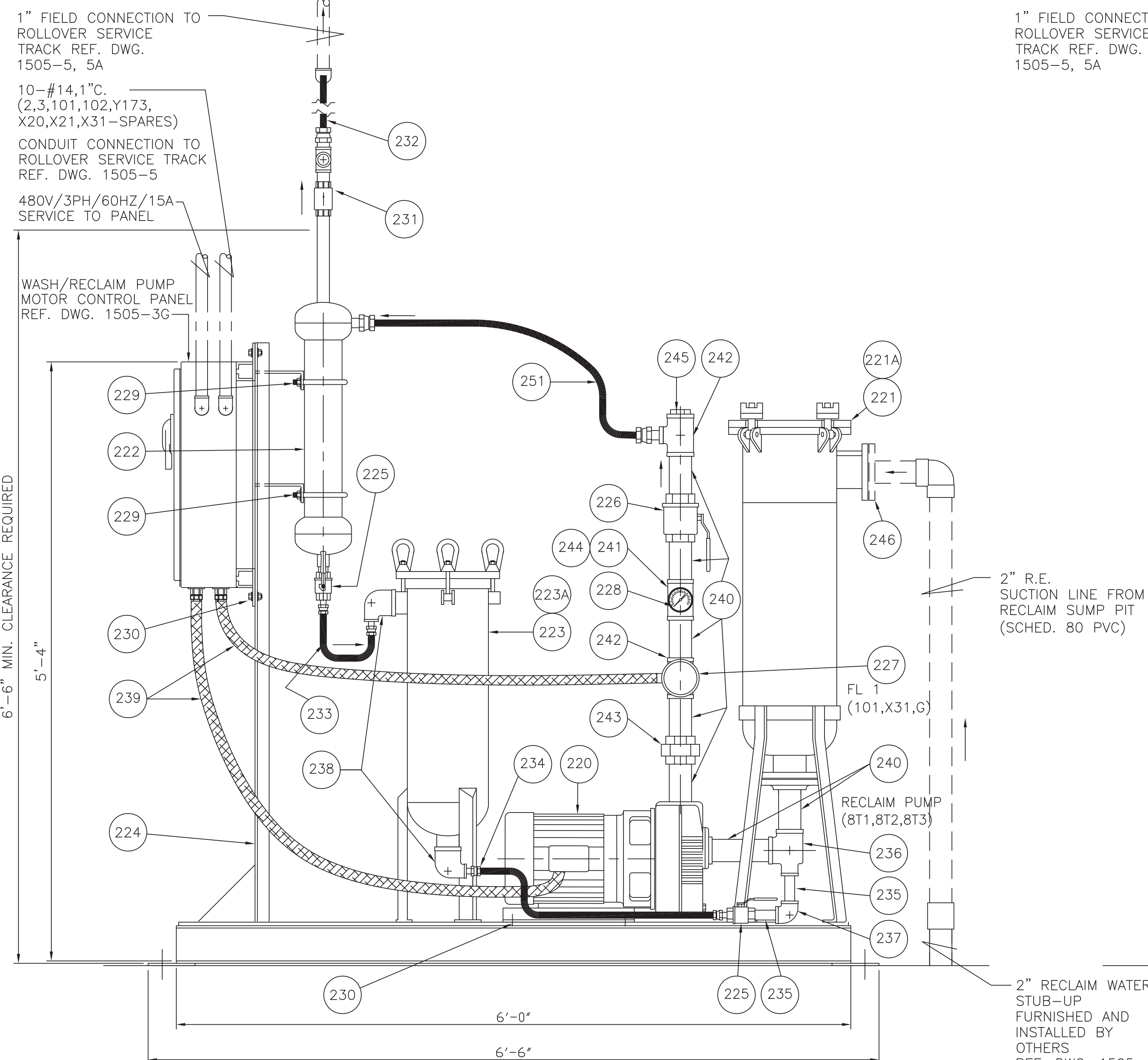


PLAN VIEW

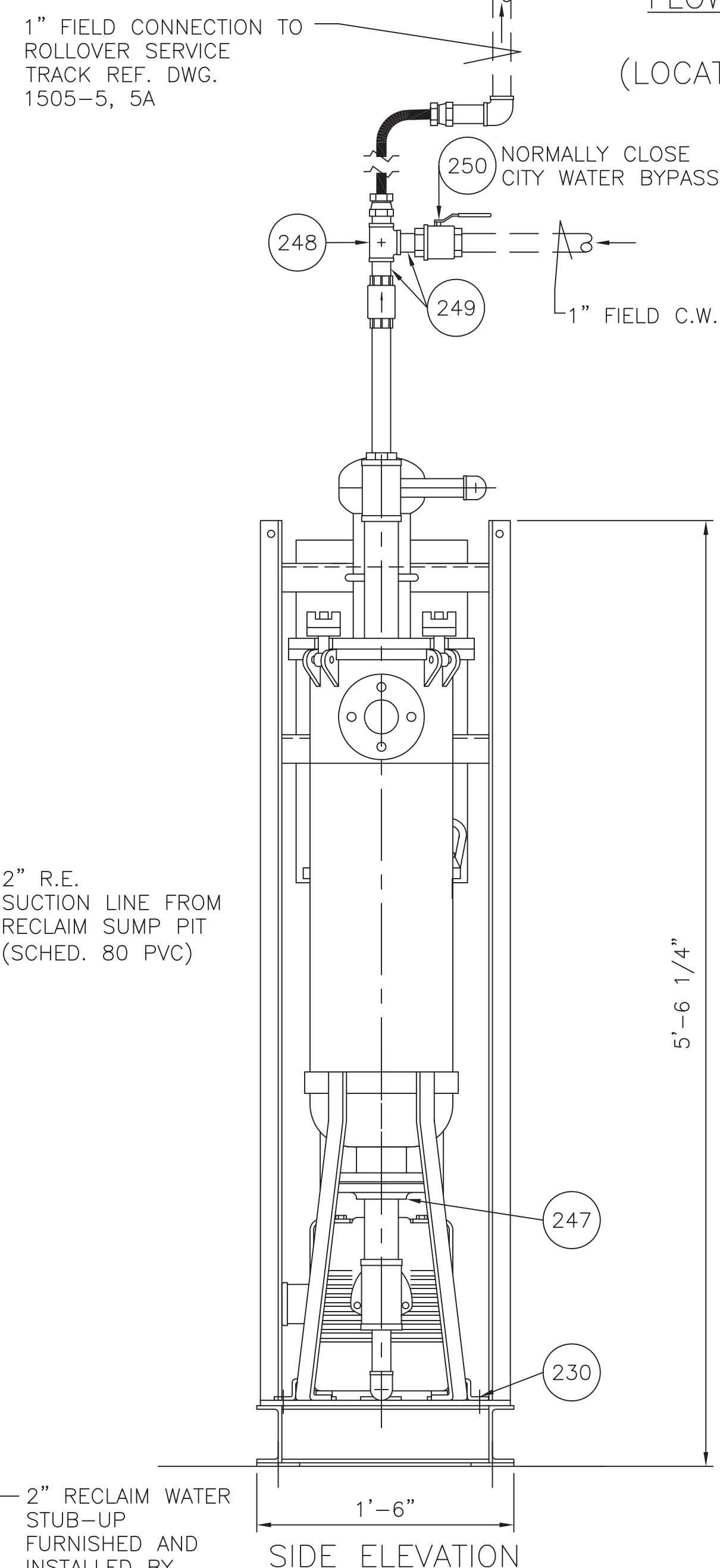


FLOW DIAGRAM AND TYPICAL RECLAIM SUMP PIT (LOCATED IN EQUIPMENT ROOM)



FRONT ELEVATION VIEW

MODEL WR-30NP WASH WATER RECYCLING SYSTEM



SIDE ELEVATION

DO NOT SCALE DRAWING

NOTE: THIS DRAWING IN DESIGN IS THE PROPERTY OF THE ROSS AND WHITE COMPANY AND MUST NOT BE COPIED OR USED EITHER DIRECTLY OR INDIRECTLY FOR ANY WORK OTHER THAN THAT OF THE ROSS AND WHITE COMPANY WITHOUT SAID COMPANY'S EXPRESSED PERMISSION. ALL RIGHTS OF INVENTION OR DESIGN ARE RESERVED.

- LEGEND
- FACTORY PIPING & WIRING
 - FIELD WATER PIPING
 - FIELD ELECTRICAL CONDUIT & WIRING
 - C.W. - CITY WATER
 - R.E. - RECLAIM WATER

REV	REVISION	DATE	REV	REVISION	DATE
E			A	EQUIPMENT LIST	12/02/15
F			B	ITEM 246, 247	03/02/16
G			C	ADDED ITEM 248-250	03/11/16
H			D	AS BUILT	04/12/16
I					
J					
K					

1090 Alexander Court
Cary, Illinois 60013
Phone: (847) 516-3900
Fax: (847) 516-3989

ROSS
WHITE COMPANY

#WR-30NP RECLAIM SYSTEM ASSEMBLY

APPROVED: _____

CHECKED BY: _____

DATE CHECKED: _____