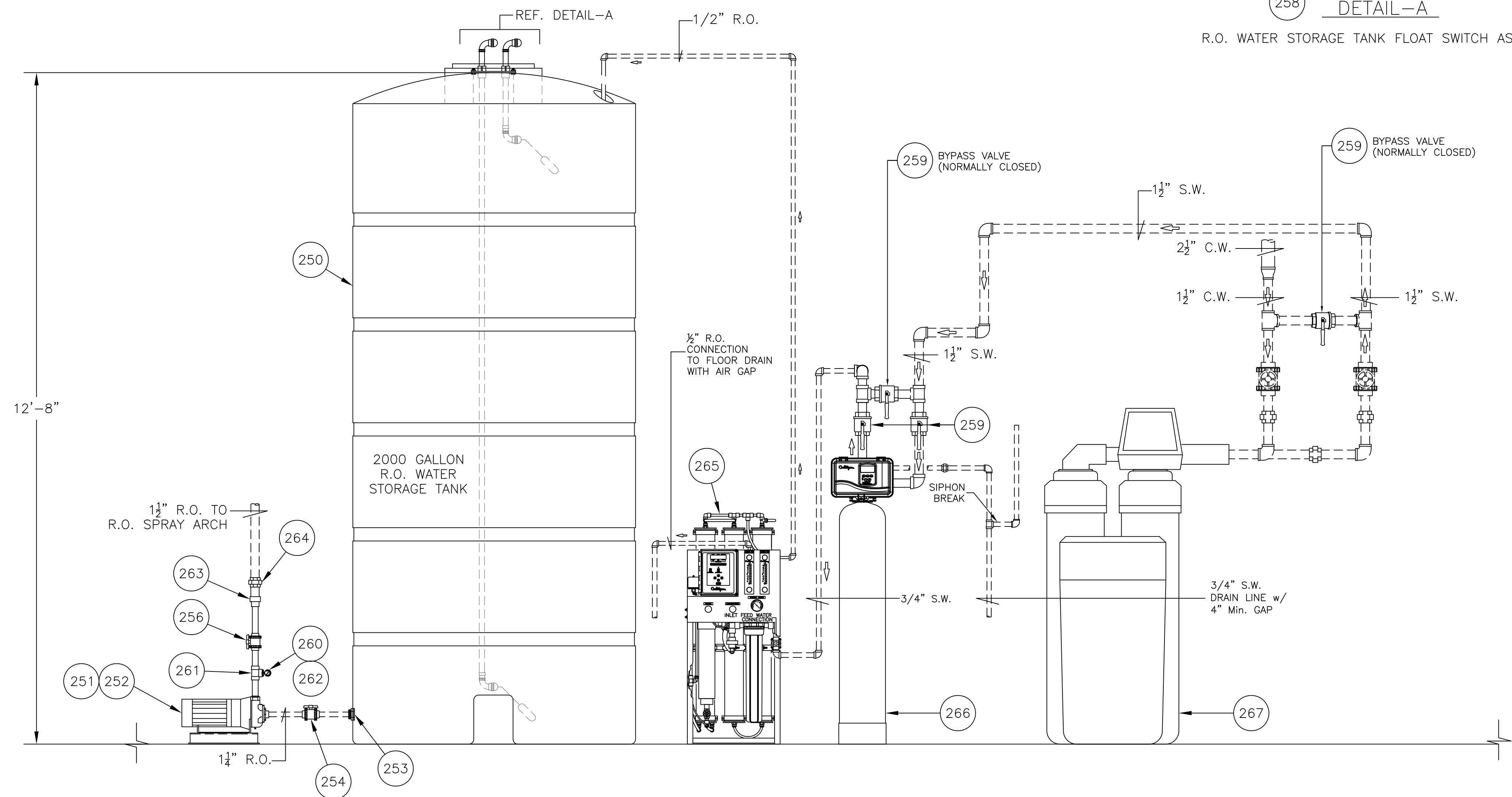
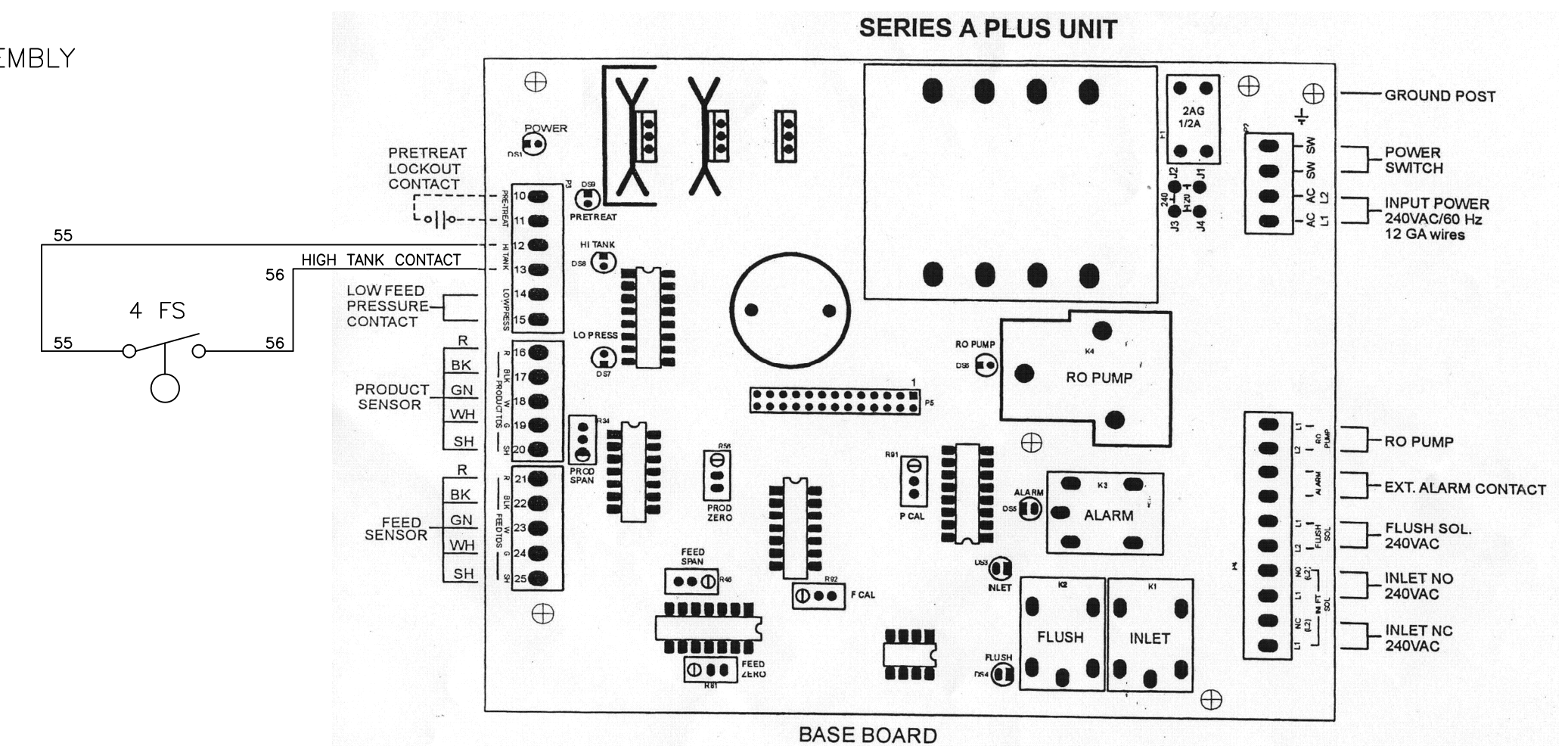


258 DETAIL-A
R.O. WATER STORAGE TANK FLOAT SWITCH ASSEMBLY



ELEVATION

DO NOT SCALE DRAWING
NOTE: THIS DRAWING IN DESIGN IS THE PROPERTY OF THE ROSS AND WHITE COMPANY AND MUST NOT BE COPIED OR USED EITHER DIRECTLY OR INDIRECTLY FOR ANY WORK OTHER THAN THAT OF THE ROSS AND WHITE COMPANY WITHOUT SAID COMPANY'S EXPRESSED PERMISSION. ALL RIGHTS OF INVENTION OR DESIGN ARE RESERVED.



FLOAT SWITCH ELECTRICAL CONNECTION TO R.O. CIRCUIT BOARD

- LEGEND
- FACTORY WATER PIPING
 - FIELD WATER PIPING
 - S.W. - SOFT WATER SUPPLY (SCH. 40 GALV.)
 - R.O. - R.O. WATER SUPPLY (SCH. 80 PVC)
 - C.W. - CITY WATER SUPPLY (SCH. 40 GALV.)

REV	REVISION	DATE	REV	REVISION	DATE
E			A		
F			B		
G			C		
H			D		
I			DRAWN BY: DKS DATE DRAWN: 5/20/10 SOUTH BEND, IN		
J			DATE PLOTTED: SCALE: 3/4"=1'-0" APPROVED:		
K			CHECKED BY: DATE CHECKED:		

ROSS
WHITE COMPANY
1090 ALEXANDER COURT
CARY, ILLINOIS 60013
PHONE: (847) 516-3900
FAX: (847) 516-3989

R.O. WATER STORAGE TANK & PUMP ASSEMBLY

1004-2C